



概述 General

- 1.高炉煤气燃烧器的输出功率高达17MW，在对应的燃烧功率、锅炉背压和不同燃料的情况下可选配适当的鼓风机型号。所配置的程序控制器和火焰探测器都带24小时火焰信号自检功能。
- 2.中心设有耐热维燃室，维持火焰稳定燃烧。
- 3.布置在中心的长明火采用低热值燃气做燃料，运行成本降低。
- 4.多喷头设计，燃烧火焰被缩短，以满足炉膛需要。
- 5.燃气、助燃空气旋流预混后再进行燃烧，确保燃烧充分稳定；后部设有观察孔及自动火焰检测装置。
- 6.设有燃气压力高、低压保护及空气低压力保护；具备检漏、吹扫、火焰检测、熄火保护功能。
- 7.适应的燃气热值：600~1300 Kcal/N.m³。如：高炉煤气、矿井伴生气、碳黑尾气、工业尾气等。

8.控制方式标准配置为电子比例调节，也可为不同操作上的需求而设。

- 1.The blast furnace burner power is up to 17MW ; it can be equipped with the suitable fan according to the combustion power,boiler back pressure and different fuel.Both the program controller and flame detector have 24-hour self detection of flame signal.
- 2.Center is provided with a heat dimensional combustion chamber, maintain stable flame combustion.
- 3.The centered long burning fire uses low heat value gas as fuel , reduces operation cost.
- 4.Multi-sprayhead design shortens the flame which meets the combustion needs ;
- 5.Premix gas and combustion-supporting air then burns stably,there has glass mirror and photocell in the back side.
- 6.It has protection of high pressure,low pressure and air low pressure,with leak-check,purge,photocelling,shot-down protection function.
- 7.The suitable gas heating value is 600-1300Kcal/N.m³.Such as :high oven coal gas,special gas,coal black waste gas,industrial waste gas.

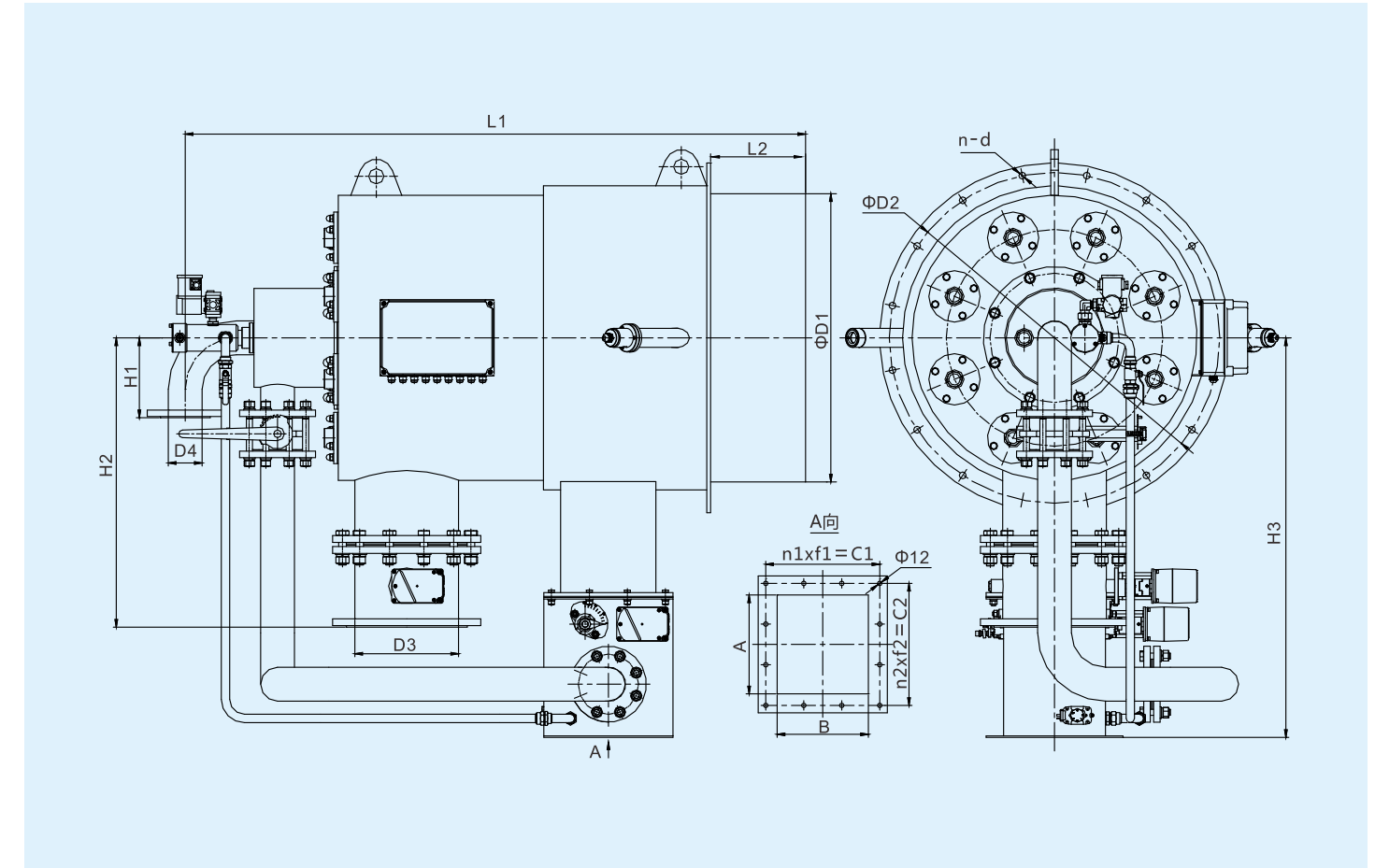
8. There are kinds of control modes, the standard configuration is the mechanical scale, meanwhile, it can be set according to the different operation demands,for instance.

技术参数 Technology Data

功率 Power kW	型号 Model	订货编号 Order No.	电源 Power supply	电机功率 Motor power kW	燃气量 Gas Nm ³ /h	包装尺寸 Packing size cm	重量 Net weight kg
3400	BT4DGE	201 50 200	380V 50Hz	7.5	3655	1910x1320x1840	
5100	BT6DGE	201 50 201	380V 50Hz	11	5485	1960x1340x1890	
6800	BT8DGE	201 50 202	380V 50Hz	15	7310	2420x1520x2210	
8500	BT10DGE	201 50 203	380V 50Hz	22	9140	2510x1670x2420	
12750	BT15DGE	201 50 204	380V 50Hz	30	13705	2450x1800x2510	
17000	BT20DGE	201 50 205	380V 50Hz	45	18275	2750x2000x2850	

外形尺寸图 Outline size diagram

型号Model: BT4DGE...20DGE



单位Unit: mm								
型号Model	ΦD1	ΦD2	D3	D4	n-d	H1	H2	H3
BT4DGE	750	870	DN250	DN80	16-Φ18	210	760	1050
BT6DGE	820	950	DN300	DN80	16-Φ18	210	760	1050
BT8DGE	1000	1180	DN350	DN100	20-Φ22	350	970	1270
BT10DGE	1200	1380	DN400	DN100	24-Φ22	350	1070	1370
BT15DGE	1400	1580	DN500	DN150	32-Φ22	350	1250	1460
BT20DGE	1600	1780	DN600	DN150	32-Φ22	435	1500	1690

单位Unit: mm					
型号Model	AxB	n1xf1=C1	n2xf2=C2	L2	L1
BT4DGE	260x240	3x100=300	3x107=321	250	1380
BT6DGE	260x240	3x100=300	3x107=321	300	1380
BT8DGE	400x300	3x120=360	4x115=460	300	1820
BT10DGE	400x350	4x102.5=410	4x115=460	300	1820
BT15DGE	500x380	4x110=440	5x112=560	300	2330
BT20DGE	650x500	5x112=560	5x142=710	350	2600