



概述 General

- 1.发生炉/焦炉煤气燃烧器的输出功率高达17.44MW，在对应的燃烧功率、锅炉背压和不同燃料的情况下可选配适当的鼓风机型号。所配置的程序控制器和火焰探测器都带24小时火焰信号自检功能。
- 2.中心设有稳燃装置，维持火焰稳定燃烧。
- 3.助燃空气从旋流型通道喷射出后与直射流燃气混合，确保燃烧充分稳定。
- 4.后部设有观察孔及自动火焰检测装置。
- 5.设有燃气压力高、低压保护及空气低压力保护；具备检漏、吹扫、火焰检测、熄火保护功能。
- 6.发生炉煤气燃烧器适应的燃气热值：1200~3000Kcal/N.m³。如：发生炉煤气、生物质气、转炉煤气、沼气等。
- 7.焦炉煤气燃烧器适应的燃气热值：2500~5000Kcal/N.m³。如：焦炉煤气、城市煤气、矿井伴生气、干炼气等。
- 8.控制方式标准配置为电子比例调节，也可根据不同操作上的需求而设。

- 1.Producer/Coke oven coal gas burner power is up to 17.44MW,it can be equipped with the suitable fan according to the combustion power, boiler back pressure and different fuel.Both the program controller and flame detector have 24-hour self detection of flame signal.
- 2.The center is provided with a combustion device, maintain stable flame combustion.
- 3.The centered long burning fire uses low heat value gas as fuel, reduces operation cost.
- 4.Multi-sprayhead design shortens the flame which meets the combustion needs.
- 5.It has protection of high pressure,low pressure and air low pressure,with leak-check,purge,photocelling,shot-down protection function.
- 6.Producer coal gas burner the suitable gas heating value:1200-3000Kcal/N.m³.Such as: oven coal gas,biogas,converter gas,Marsh gas.
- 7.Coke oven coal gas burner the suitable gas heating value:2500-5000Kcal/N.m³.Such as: coal oven gas,city coal gas,special gas,dry gas.

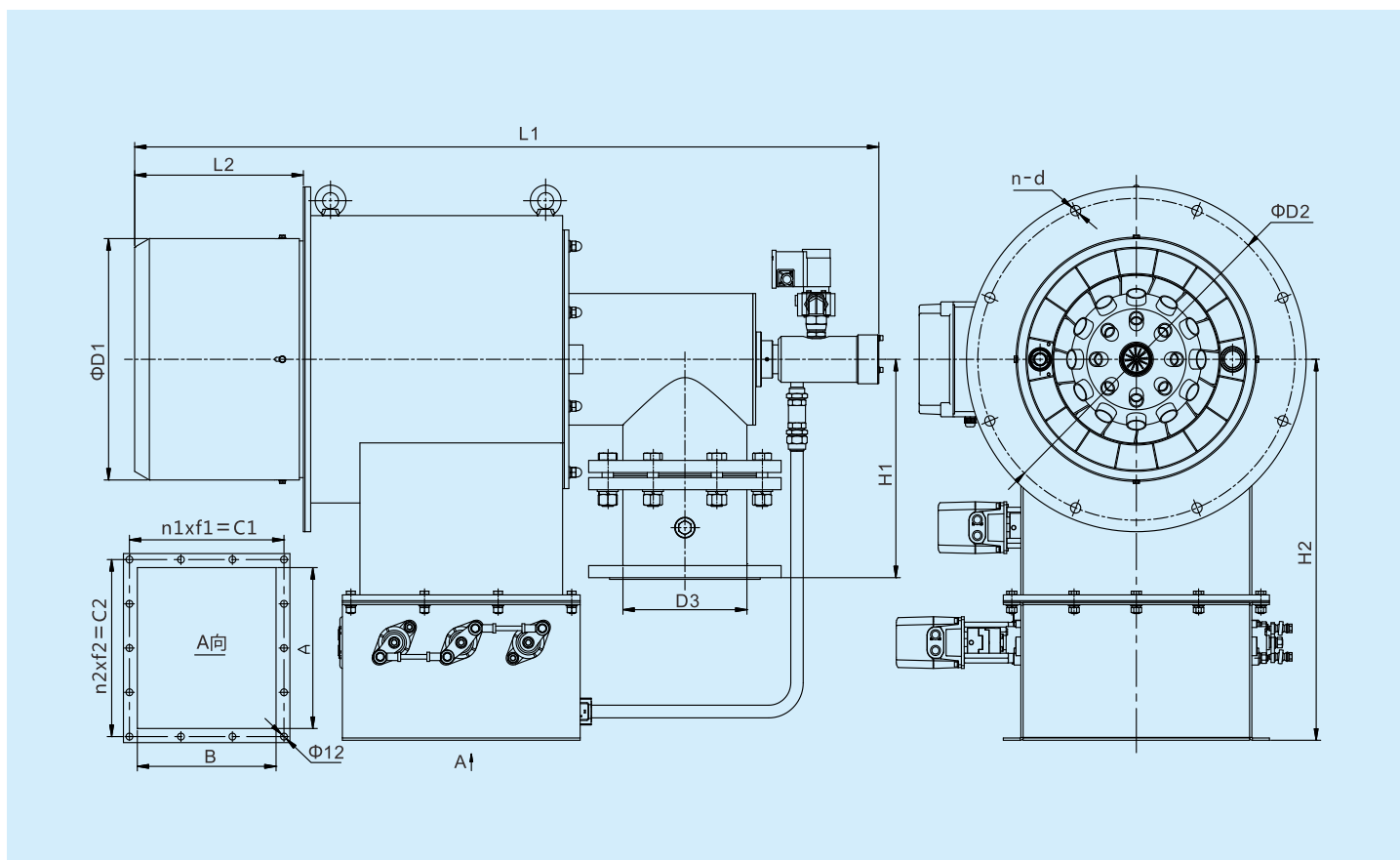
8. There are kinds of control modes, the standard configuration is the mechanical scale, meanwhile, it can be set according to the different operation demands, for instance.

技术参数 Technology Data

功率 Power kW	型号 Model	订货编号 Order No.	电源 Power supply	电机功率 Motor power kW	燃气量 Gas Nm ³ /h	包装尺寸 Packing size cm	重量 Net weight kg
1750	BT2CGE	201 50 400	380V 50Hz	4	1080	1450x710x1000	
3500	BT4CGE	201 50 401	380V 50Hz	7.5	2160	1500x710x1000	
5250	BT6CGE	201 50 402	380V 50Hz	15	3250	1900x890x1200	
7000	BT8CGE	201 50 403	380V 50Hz	15	4320	2080x1010x1350	
8720	BT10CGE	201 50 404	380V 50Hz	30	5420	2080x1010x1350	
13000	BT15CGE	201 50 405	380V 50Hz	37	8120	2350x1320x1700	
17400	BT20CGE	201 50 406	380V 50Hz	55	10800	2350x1320x1700	
1860	BT2AGE	201 50 300	380V 50Hz	5.5	380	1030x660x875	
3720	BT4AGE	201 50 301	380V 50Hz	11	760	1190x720x975	
5580	BT6AGE	201 50 302	380V 50Hz	15	1140	1310x840x1085	
7250	BT8AGE	201 50 303	380V 50Hz	22	1480	1410x865x1190	
9070	BT10AGE	201 50 304	380V 50Hz	30	1855	1410x865x1190	
13130	BT15AGE	201 50 305	380V 50Hz	45	2685	1590x1040x1325	
17440	BT20AGE	201 50 306	380V 50Hz	55	4800	1720x1140x1430	

外形尺寸图 Outline size diagram

型号Model : BT2CGE...20CGE



单位Unit: mm

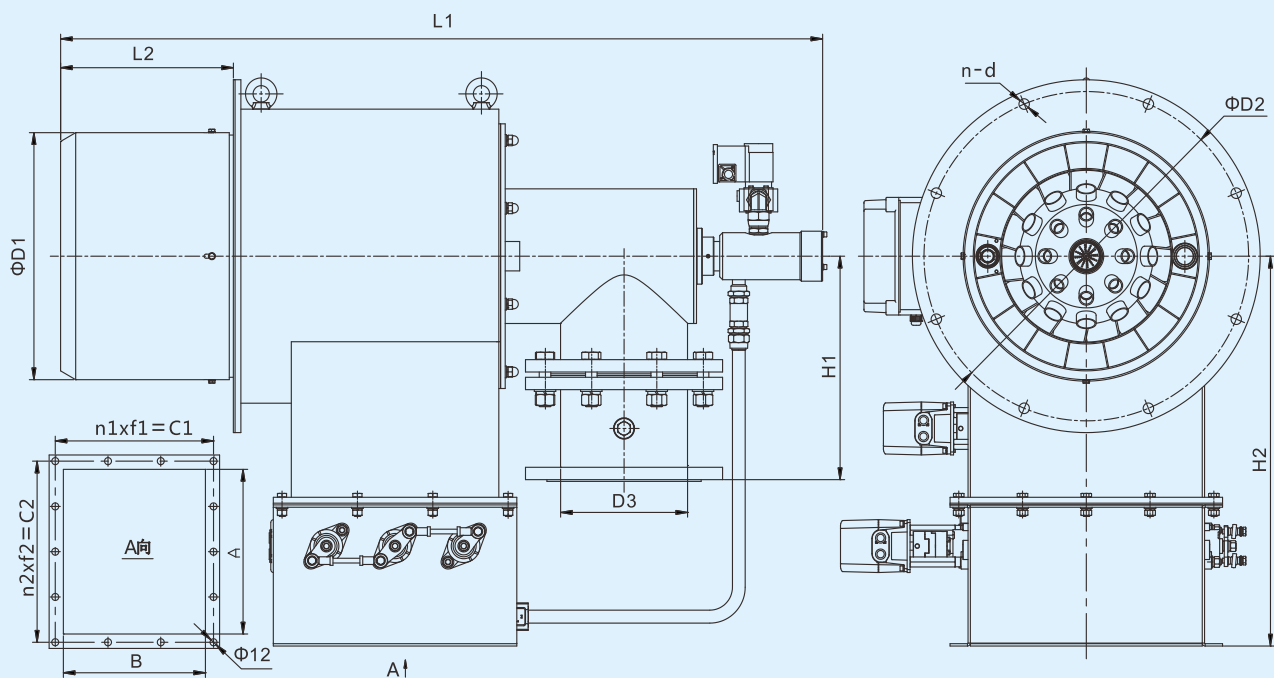
型号Model	ΦD1	ΦD2	D3	n-d	H1	H2
BT2CGE	350	450	DN150	8-Φ18	400	560
BT4CGE	390	450	DN200	8-Φ18	400	560
BT6CGE	560	620	DN300	8-Φ18	540	690
BT8CGE	670	740	DN350	12-Φ22	640	760
BT10CGE	710	740	DN350	12-Φ22	640	760
BT15CGE	850	1060	DN400	16-Φ22	820	950
BT20CGE	970	1060	DN400	16-Φ22	820	950

单位Unit: mm

型号Model	AxB	n1xf1=C1	n2xf2=C2	L2	L1
BT2CGE	240x240	3x100=300	3x100=300	280	1350
BT4CGE	260x240	3x100=300	3x107=321	280	1400
BT6CGE	400x350	4x102.5=410	4x115=460	320	1800
BT8CGE	400x400	4x115=460	4x115=460	400	1980
BT10CGE	400x400	4x115=460	4x115=460	400	1980
BT15CGE	760x560	5x124=620	5x164=820	400	2250
BT20CGE	760x560	5x124=620	5x164=820	400	2250

外形尺寸图 Outline size diagram

型号Model: BT2AGE...20AGE



单位Unit: mm

型号Model	ΦD1	ΦD2	D3	n-d	H1	H2
BT2AGE	240	345	DN80	4-Φ18	290	450
BT4AGE	310	410	DN100	4-Φ18	320	520
BT6AGE	360	510	DN150	8-Φ18	360	580
BT8AGE	420	560	DN200	8-Φ18	380	660
BT10AGE	420	560	DN200	8-Φ18	380	660
BT15AGE	520	600	DN250	8-Φ18	450	720
BT20AGE	575	680	DN250	12-Φ18	450	780

单位Unit: mm

型号Model	AxB	n1xf1=C1	n2xf2=C2	L2	L1
BT2AGE	200x150	2x95=190	2x120=240	230	915
BT4AGE	400x300	3x113.3=340	3x146.7=440	280	1090
BT6AGE	400x300	3x113.3=340	3x146.7=440	300	1205
BT8AGE	400x350	3x130=390	3x146.7=440	300	1315
BT10AGE	400x350	3x130=390	3x146.7=440	300	1315
BT15AGE	550x450	4x122.5=490	4x147.5=590	300	1505
BT20AGE	650x500	4x135=540	5x138=690	300	1555