



概述 General

1. BTFA系列全自动分体式燃烧器的输出功率高达42MW, 在对应的燃烧功率、锅炉背压和不同燃料的情况下可选配适当的鼓风机型号。所配置的程序控制器和火焰探测器都带24小时火焰信号自检功能。
2. 全自动的燃油/燃气双燃料燃烧器特别为高调节比而设计, 因此这些BTFA系列燃烧器的控制范围很广泛。
3. 燃油雾化方式: 可选择采用高压机械雾化或采用低压介质雾化。
4. 主油管路安置在燃烧器本体上, 独立的重油加热器和油泵组, 包括油泵、电加热器和油过滤器。
5. 根据锅炉的炉膛尺寸火焰长度和直径可以通过调整二次风的旋风挡板角度来设定, 该功能是专门为不同锅炉厂家的炉膛设计而制作的。

6. 多种控制方式, 标准配置为机械比例, 但可为不同操作上的需求而设, 如电子比例带氧量控制器, 电子比例控制双燃料燃烧系统等。

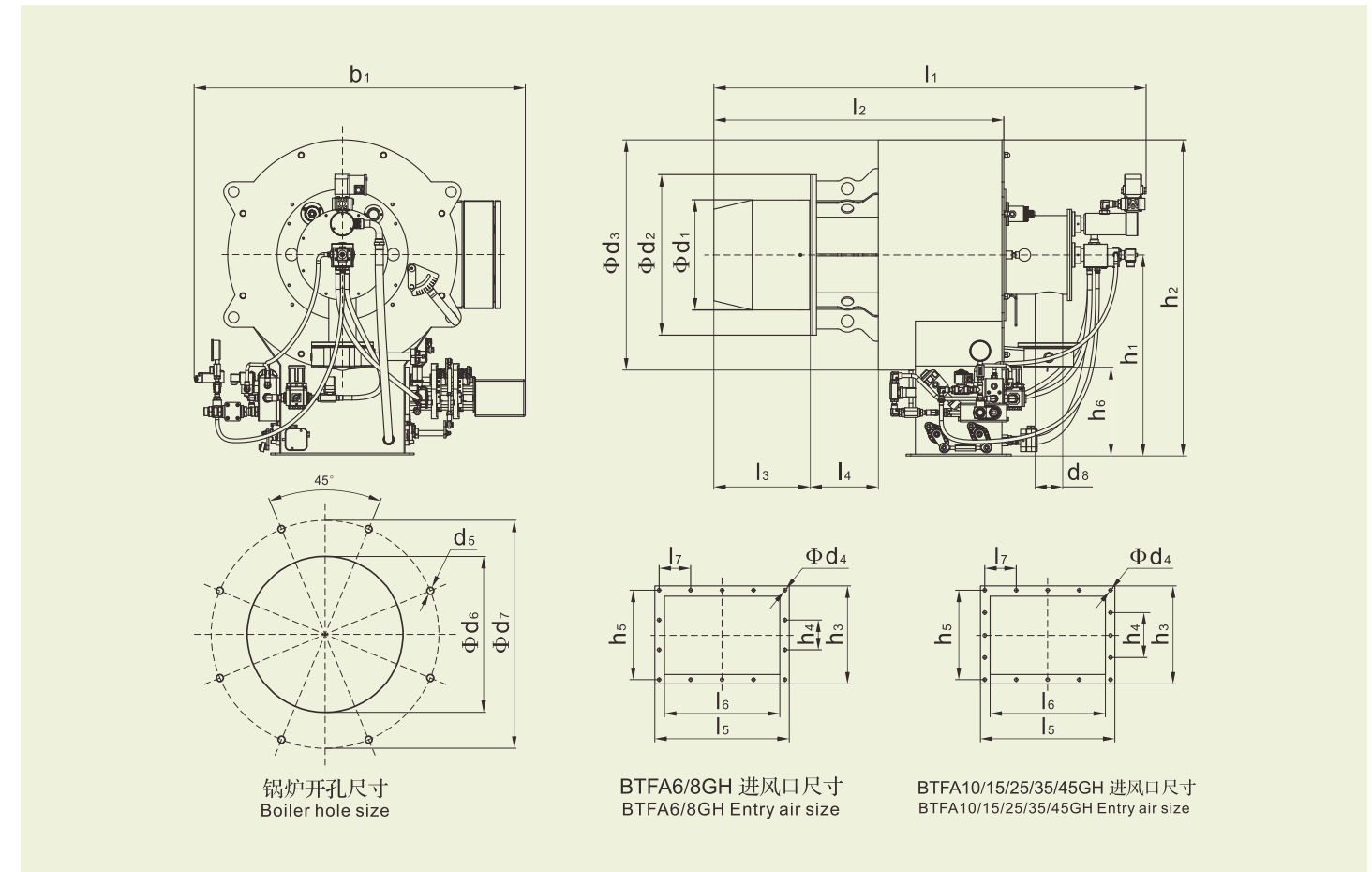
1. The power range of BTFA series full-automatic separated type burner is 42MW, it can be equipped with the suitable fan according to the combustion power, boiler back pressure and different fuel. Both the program controller and flame detector have 24-hour self detection of flame signal.
2. The full-automatic fuel oil / gas dual-fuel burners are specially designed for the supremely accurate adjusting ratio, therefore, BTFA series burner has wide range in the control.
3. Fuel atomization type: optional high pressure mechanical atomization or low pressure medium atomization.
4. The main oil pipeline is mounted at the burner body, individual heavy oil heater and oil pump unit, including the oil pump, electric heater and oil filter.
5. According to the boiler hearth size, the flame length and diameter may be set by adjusting the angle of secondary air cyclone plate. This function is specially provided for the different manufacturers boiler hearths.

6. There are kinds of control modes, the standard configuration is the mechanical scale, however, it can be set according to the different operation demands, for instance, the electronic-scale oxygen controller, electronic-scale control dual-fuel combustion system, etc...

技术参数 Technology Data

功率 Power kW	型号 Model	订货编号 Order No.	最大粘度 Max Viscosity E@20°C	电源 Power supply	燃油量(重油) Fuel(Heavy oil) kg/h	燃气量 Gas Nm ³ /h	包装尺寸 Packing size cm	重量 Net weight kg
954 ~ 6042	BTFA6GH	202 27 150	60	380V 50Hz	85 ~ 539	68 ~ 628	1553x1358x1279	
1100 ~ 8230	BTFA8GH	202 27 151	60	380V 50Hz	98 ~ 734	91 ~ 832	1553x1358x1279	
1400 ~ 11160	BTFA10GH	202 27 152	60	380V 50Hz	125 ~ 995	142 ~ 1127	1840x1400x1520	
2232 ~ 14511	BTFA15GH	202 27 153	60	380V 50Hz	200 ~ 1293	226 ~ 1557	1930x1340x1630	
3590 ~ 22500	BTFA25GH	202 27 154	60	380V 50Hz	320 ~ 2005	303 ~ 2273	2180x1580x1890	
5500 ~ 34500	BTFA35GH	202 27 155	60	380V 50Hz	490 ~ 3080	556 ~ 3485	2530x1710x1970	
7000 ~ 42000	BTFA45GH	202 27 156	60	380V 50Hz	624 ~ 3743	707 ~ 4242	2980x2040x2340	

外形尺寸图 Outline size diagram
型号Model: BTFA6GH...45GH



单位Unit: mm

型号Model	b ₁	l ₁	l ₂	l ₃	l ₄	l ₅	l ₆	l ₇	Φd ₁	Φd ₂	Φd ₃
BTFA6GH	1074	1399	938	312	220	466	400	4-109	356	519	1074
BTFA8GH	1208	1428	968	342	220	601	535	5-114.2	400	564	1208
BTFA10GH	1223	1664	1154	375	258	636	550	5-121.2	447	655	1223
BTFA15GH	1153	1754	1194	383	252	688	600	5-131.6	497	705	1153
BTFA25GH	1399	2000	1433	479	325	858	750	5-163.6	616	820	1399
BTFA35GH	1531	2357	1741	603	330	958	850	6-153	703	920	1531
BTFA45GH	1856	2802	2082	811	312	1110	980	6-176.7	870	1130	1856

单位Unit: mm

型号Model	Φd ₄	d ₅	Φd ₆	Φd ₇	d ₈	h ₁	h ₂	h ₃	h ₄	h ₅	h ₆
BTFA6GH	14-φ9	8-M12	366	455.2	DN80	650	1022.5	340	103.3	271	285.5
BTFA8GH	16-φ9	8-M12	410	500.2	DN80	650	1022.5	340	103.3	271	288.5
BTFA10GH	18-φ11	8-M14	460	580.2	DN100	770	1245	490	230	401	350
BTFA15GH	18-φ11	8-M12	510	630	DN125	820	1317	500	240	411	202
BTFA25GH	18-φ12	8-M14	626	750.2	DN150	960	1600	590	275	480	257.5
BTFA35GH	20-φ12	8-M16	715	850	DN200	1000	1690	722	136.4	612	255
BTFA45GH	22-φ14	8-M20	880	1050.2	DN200	1200	2050	876	165.2	745	247