



概述 General

1. BTF系列全自动分体式燃烧器的功率范围为600-22000KW，在对应的燃烧功率、锅炉背压和不同燃料的情况下可选配适当的鼓风机型号。所配置的程序控制器和火焰探测器都带24小时火焰信号自检功能。
2. 全自动的燃油/燃气双燃料燃烧器特别为高调节比而设计，因此这些BTF系列燃烧器的控制范围很广泛。
3. 燃油雾化方式：可选择采用高压机械雾化或采用低压介质雾化。
4. 主油管路安置在燃烧器本体上，独立的重油加热器和油泵组，包括油泵、电加热器和油过滤器。
5. 钢制全密封外壳，打开上盖板可对内部组件进行维修。

6. 多种控制方式，标准配置为机械比例，但可为不同操作上的需求而设，如电子比例带氧量控制器，电子比例控制双燃料燃烧系统等。

1. The power range of BTF series full-automatic separated type burner is 600-22000KW, it can be equipped with the suitable fan according to the combustion power, boiler back pressure and different fuel. Both the program controller and flame detector have 24-hour self detection of flame signal.
2. The full-automatic fuel oil / gas dual-fuel burners are specially designed for the supremely accurate adjusting ratio, therefore, BTF series burner has wide range in the control.
3. Fuel atomization type: optional high pressure mechanical atomization or low pressure medium atomization.
4. The main oil pipeline is mounted at the burner body, individual heavy oil heater and oil pump unit, including the oil pump, electric heater and oil filter.
5. It shows the steel-made full-seal enclosure, only opening the top cover, the inner components can be maintained.

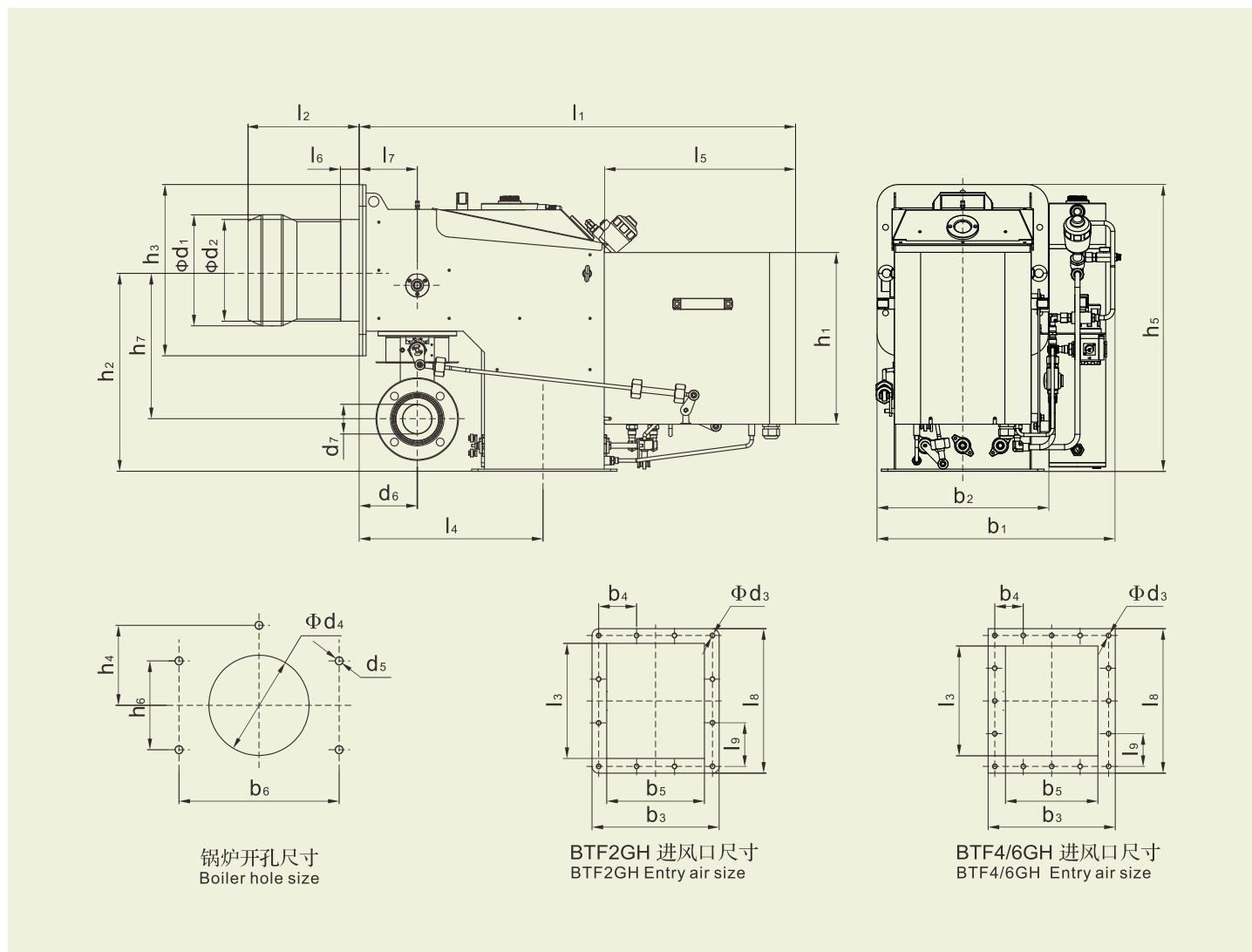
6. There are kinds of control modes, the standard configuration is the mechanical scale, however, it can be set according to the different operation demands, for instance, the electronic-scale oxygen controller, electronic-scale control dual-fuel combustion system, etc...

技术参数 Technology Data

| 功率 Power kW | 型号 Model | 订货编号 Order No. | 最大粘度 Max Viscidity E@20℃ | 电源 Power supply | 燃油量(轻油) Fuel(Light oil) kg/h | 燃气量 Gas Nm ³ /h | 包装尺寸 Packing size cm | 重量 Net weight kg |
|-------------------|-------------|-------------------|--------------------------------|--------------------|------------------------------------|----------------------------------|----------------------------|------------------------|
| 600~2450 | BTF2GH | 202 27 100 | 60 | 380V 50Hz | 55~218 | 60~247 | 1408x718x899 | |
| 900~4100 | BTF4GH | 202 27 101 | 60 | 380V 50Hz | 76~346 | 91~414 | 1668x678x1019 | |
| 1100~5700 | BTF6GH | 202 27 102 | 60 | 380V 50Hz | 98~481 | 111~576 | 1668x678x1019 | |
| 1100~7100 | BTF8GH | 202 27 103 | 60 | 380V 50Hz | 98~633 | 111~717 | 2090x880x1250 | |
| 1400~9600 | BTF10GH | 202 27 104 | 60 | 380V 50Hz | 125~860 | 141~970 | 2090x880x1250 | |
| 1400~12000 | BTF12GH | 202 27 105 | 60 | 380V 50Hz | 125~1070 | 141~1212 | 2560x1220x1430 | |
| 2500~14000 | BTF15GH | 202 27 106 | 60 | 380V 50Hz | 220~1250 | 252~1414 | 2560x1220x1430 | |
| 3550~17500 | BTF20GH | 202 27 107 | 60 | 380V 50Hz | 320~1560 | 358~1767 | 2610x1360x1570 | |
| 3800~22000 | BTF25GH | 202 27 108 | 60 | 380V 50Hz | 320~1960 | 384~2222 | 2610x1360x1570 | |

外形尺寸图 Outline size diagram

型号Model: BTF2GH...6GH



单位Unit: mm

| 型号Model | l ₁ | l ₂ | l ₃ | l ₄ | l ₅ | l ₆ | l ₇ | l ₈ | l ₉ | h ₁ | h ₂ | h ₃ | h ₄ | h ₅ | h ₆ |
|---------|----------------|----------------|----------------|----------------|----------------|----------------|----------------|----------------|----------------|----------------|----------------|----------------|----------------|----------------|----------------|
| BTF2GH | 1020.5 | 260 | 264 | 433 | 447.5 | 44 | 136 | 380 | 3-116.7 | 401.5 | 470 | 400 | 180 | 670 | 200 |
| BTF4GH | 1174.5 | 336 | 334 | 545 | 447.5 | 62 | 203 | 450 | 4-105 | 431.5 | 517 | 540 | 245 | 787 | 270 |
| BTF6GH | 1174.5 | 346 | 334 | 545 | 447.5 | 62 | 203 | 450 | 4-105 | 431.5 | 517 | 540 | 245 | 787 | 270 |

单位Unit: mm

| 型号Model | h ₇ | b ₁ | b ₂ | b ₃ | b ₄ | b ₅ | b ₆ | Φd ₁ | Φd ₂ | Φd ₃ | Φd ₄ | d ₅ | d ₆ | d ₇ |
|---------|----------------|----------------|----------------|----------------|----------------|----------------|----------------|-----------------|-----------------|-----------------|-----------------|----------------|----------------|----------------|
| BTF2GH | 360 | 569 | - | 340 | 3-103.3 | 224 | 360 | 260 | 238 | 12-Φ8.5 | 270 | 5-M12 | 136 | DN65 |
| BTF4GH | 432 | - | 540 | 424 | 4-98.5 | 308 | 490 | 300 | 335 | 16-Φ8.5 | 375 | 5-M12 | 157 | DN80 |
| BTF6GH | 432 | - | 540 | 424 | 4-98.5 | 308 | 490 | 365 | 335 | 16-Φ8.5 | 375 | 5-M12 | 157 | DN80 |

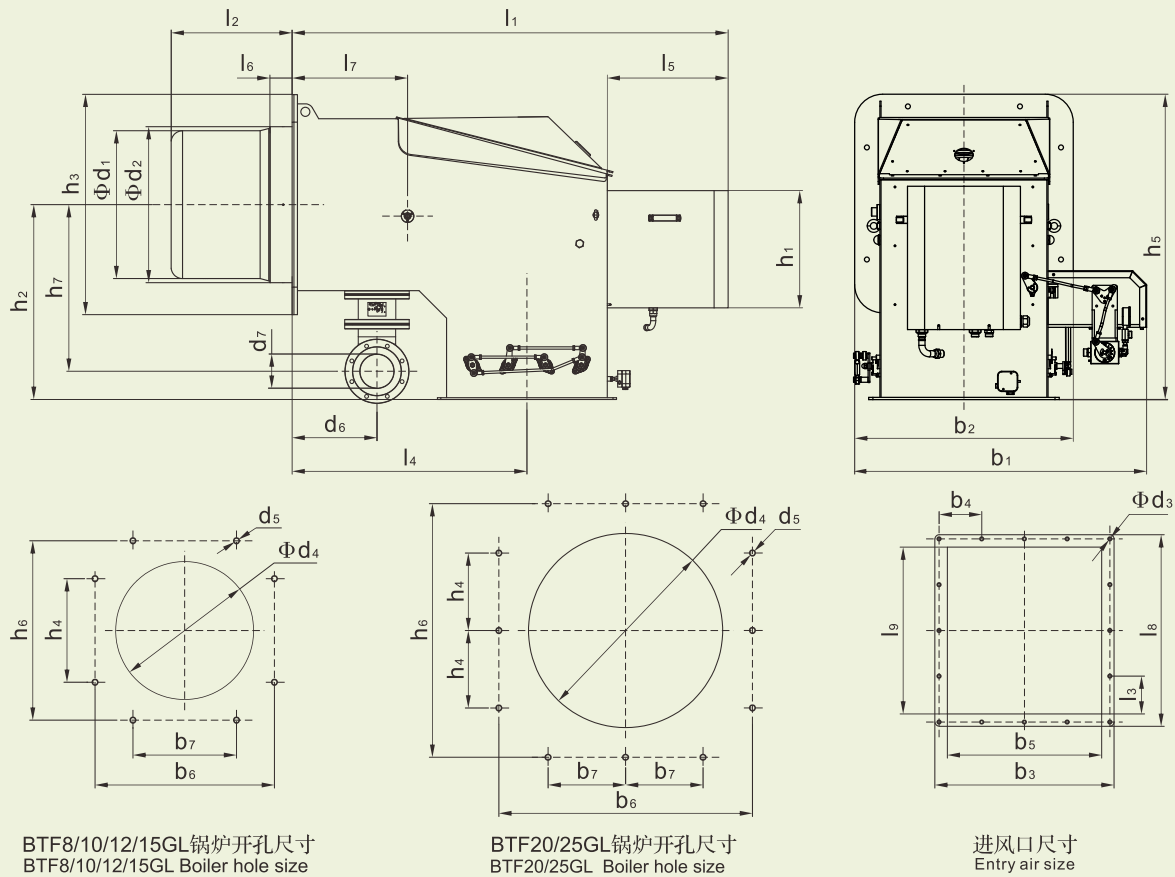
BTF8GH...25GH分体式燃气/重油燃烧器

Split type Gas & Heavy oil Burner



外形尺寸图 Outline size diagram

型号Model: BTF8GH...25GH



BTF8/10/12/15GL锅炉开孔尺寸
BTF8/10/12/15GL Boiler hole size

BTF20/25GL锅炉开孔尺寸
BTF20/25GL Boiler hole size

进风口尺寸
Entry air size

单位Unit: mm

| 型号Model | l_1 | l_2 | l_3 | l_4 | l_5 | l_6 | l_7 | l_8 | l_9 | h_1 | h_2 | h_3 | h_4 | h_5 | h_6 |
|---------|--------|-------|-------|-------|-------|-------|-------|-------|---------|-------|-------|-------|-------|-------|-------|
| BTF8GH | 1489.5 | 415 | 434 | 760 | 526.5 | 70 | 320 | 568 | 4-134.5 | 511.5 | 650 | 700 | 367.5 | 1000 | 636.5 |
| BTF10GH | 1489.5 | 415 | 434 | 760 | 526.5 | 70 | 320 | 568 | 4-134.5 | 511.5 | 650 | 700 | 367.5 | 1000 | 636.5 |
| BTF12GH | 1827.5 | 555 | 532 | 1023 | 526.5 | 67 | 523 | 680 | 4-162.5 | 511.5 | 700 | 780 | 400 | 1090 | 693 |
| BTF15GH | 1827.5 | 555 | 532 | 1023 | 526.5 | 67 | 523 | 680 | 4-163.5 | 511.5 | 700 | 780 | 400 | 1090 | 693 |
| BTF20GH | 1899.5 | 527 | 632 | 1023 | 526.5 | 97 | 503 | 780 | 5-150 | 511.5 | 850 | 960 | 2-275 | 1330 | 900 |
| BTF25GH | 1899.5 | 527 | 632 | 1023 | 526.5 | 97 | 503 | 780 | 5-150 | 511.5 | 850 | 960 | 2-275 | 1330 | 900 |

单位Unit: mm

| 型号Model | h_7 | b_1 | b_2 | b_3 | b_4 | b_5 | b_6 | b_7 | Φd_1 | Φd_2 | Φd_3 | Φd_4 | d_5 | d_6 | d_7 |
|---------|-------|-------|-------|-------|---------|-------|-------|-------|------------|------------|----------------|------------|--------|-------|-------|
| BTF8GH | 335.5 | - | 700 | 486 | 3-152 | 352 | 636.5 | 367.5 | 480 | 459 | 14- Φ 8.5 | 490 | 8-M12 | 545 | DN100 |
| BTF10GH | 335.5 | - | 700 | 486 | 3-152 | 352 | 636.5 | 367.5 | 480 | 459 | 14- Φ 8.5 | 490 | 8-M12 | 545 | DN100 |
| BTF12GH | 447 | 1042 | - | 636 | 4-151.5 | 488 | 693 | 400 | 600 | 562 | 16- Φ 8.5 | 610 | 8-M16 | 656 | DN125 |
| BTF15GH | 447 | 1042 | - | 636 | 4-151.5 | 488 | 693 | 400 | 600 | 562 | 16- Φ 8.5 | 610 | 8-M16 | 656 | DN125 |
| BTF20GH | 522 | 1182 | - | 780 | 5-150 | 632 | 900 | 2-275 | 645 | 681 | 20- Φ 8.5 | 690 | 12-M14 | 575 | DN150 |
| BTF25GH | 522 | 1182 | - | 780 | 5-150 | 632 | 900 | 2-275 | 645 | 681 | 20- Φ 8.5 | 690 | 12-M14 | 575 | DN150 |

baite 百特